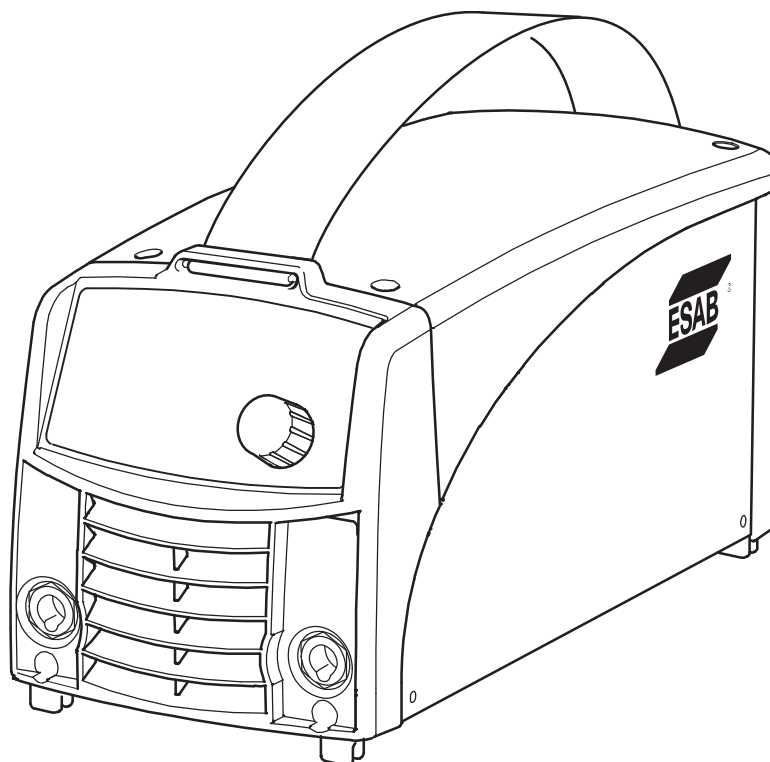


Spare parts list

Edition 091119



Valid for serial no. 803-xxx-xxxx

Ordering no.	Product
0460 445 880	Caddy™ Arc 152i, A31 230 V 50/60 Hz with MMA-kit
0460 445 881	Caddy™ Arc 151i, A31 230 V 50/60 Hz with MMA-kit
0460 445 481	Caddy™ Arc 151i, A31 230 V 50/60 Hz with MMA-kit US version

Spare parts are to be ordered through the nearest ESAB agency. Kindly indicate type of unit, serial number, denominations and ordering numbers according to the spare parts list.

Maintenance and repair work should be performed by an experienced person, and electrical work only by a trained electrician. Use only recommended spare parts.

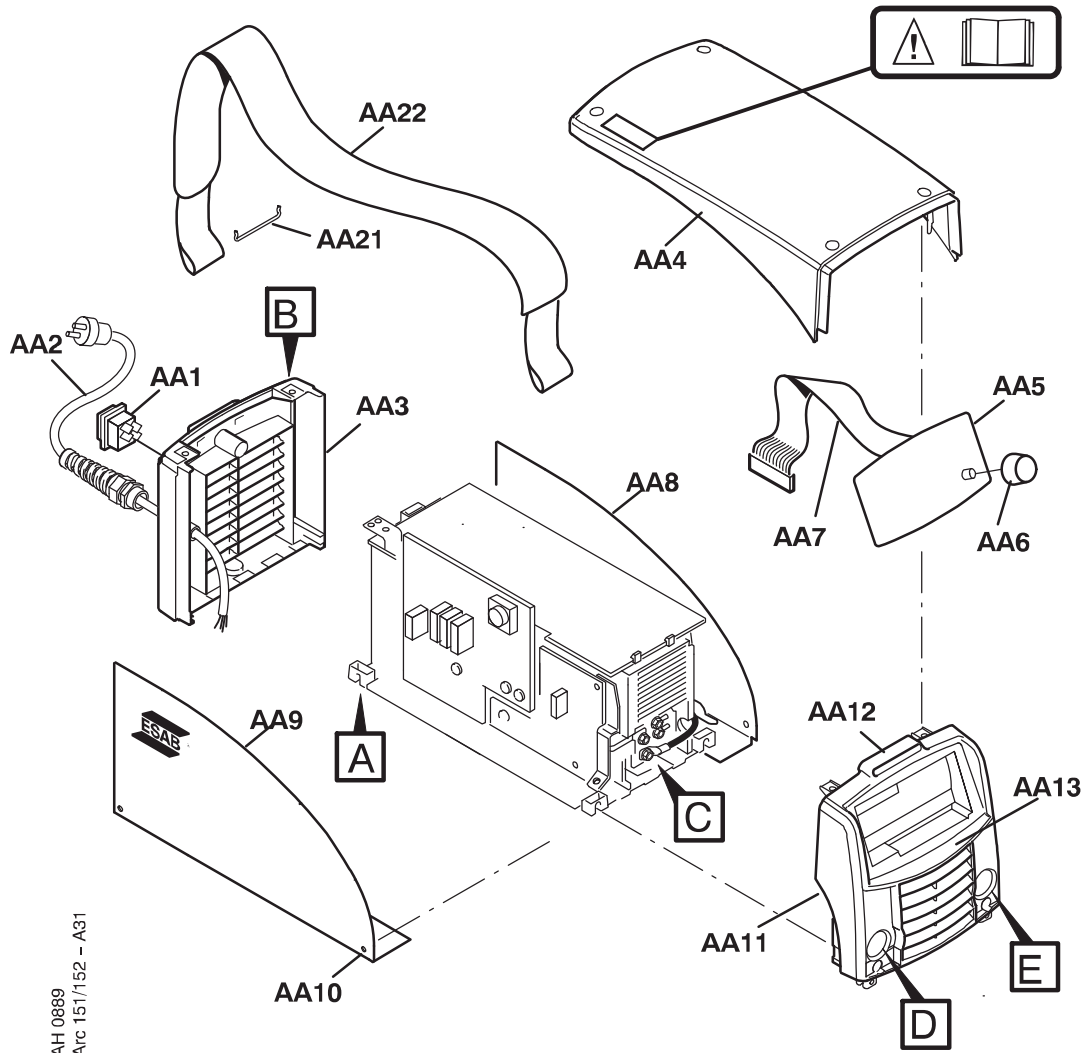
Arc 151i, Arc 152i – A31

C = component designation in the circuit diagram

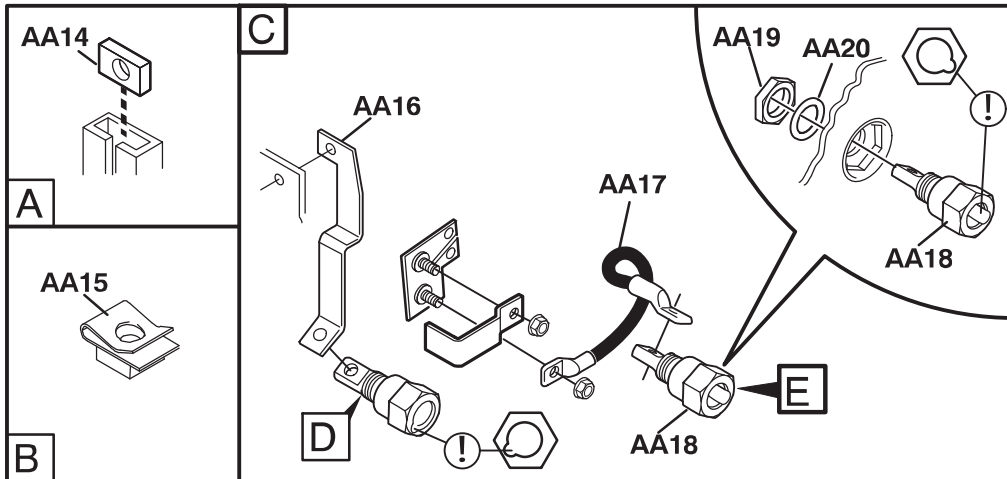
Item	Qty	Ordering no.	Denomination	Notes	C	
AA1	1	0193 317 001	Switch	Included in item AA50	2QF1	
AA2	1	–	Cord set	Included in item AA50		
AA3	1	0460 140 001	Rear panel			
AA4	1	0460 143 001	Cover			
AA5	1	0460 250 884	MMC Module A31	Including AA6 and AA7		
AA6	1	0460 600 328	Knob	Included in AA5		
AA7	1	–	Ribbon cable with connectors	34 pole, included in AA5		1XS1, 1XS2
AA8	1	0460 479 002	Side panel	right		
AA9	1	0460 479 001	Side panel	left		
AA10		0194 179 327	Screw MRT	ground cutter, M5x12		
AA11	1	–	Front panel	Included in item AA51		XS1, XS2
AA12	1	0459 184 005	Sticker	ESAB		
AA13	1	0460 221 003	Sticker	Arc 151i		
	1	0460 221 007	Sticker	Arc 152i		
AA14	5	0366 588 001	Nut			
AA15	6	0469 381 002	Fast lock nut	M5		
AA16	1	0460 427 001	Bar plus			
AA17	1	0460 152 981	Cable set course			
AA18	2	0160 362 025	Connector OKC 50	Included in item AA51		
AA19	2	0366 247 001	Nut			
AA20	2	0366 306 003	Spring washer	Ø21/15x1		
AA21	2	0468 497 001	Holder			
AA22	1	0460 265 001	Strap			

SPARE PARTS SETS

Item	Ordering no.	Denomination	Notes
AA50	0460 601 881	Mains module	Includes items: AA1 switch, AA2 mains cable with plug, cable clamp and one ferrite rings 2L2.
AA51	0460 379 884	Front complete	Includes items: AA11, AA18, AA19, AA20 When replacing "front complete" also item AA5, MMC module, must be replaced.



AH 0889
Arc 151/152 - A31

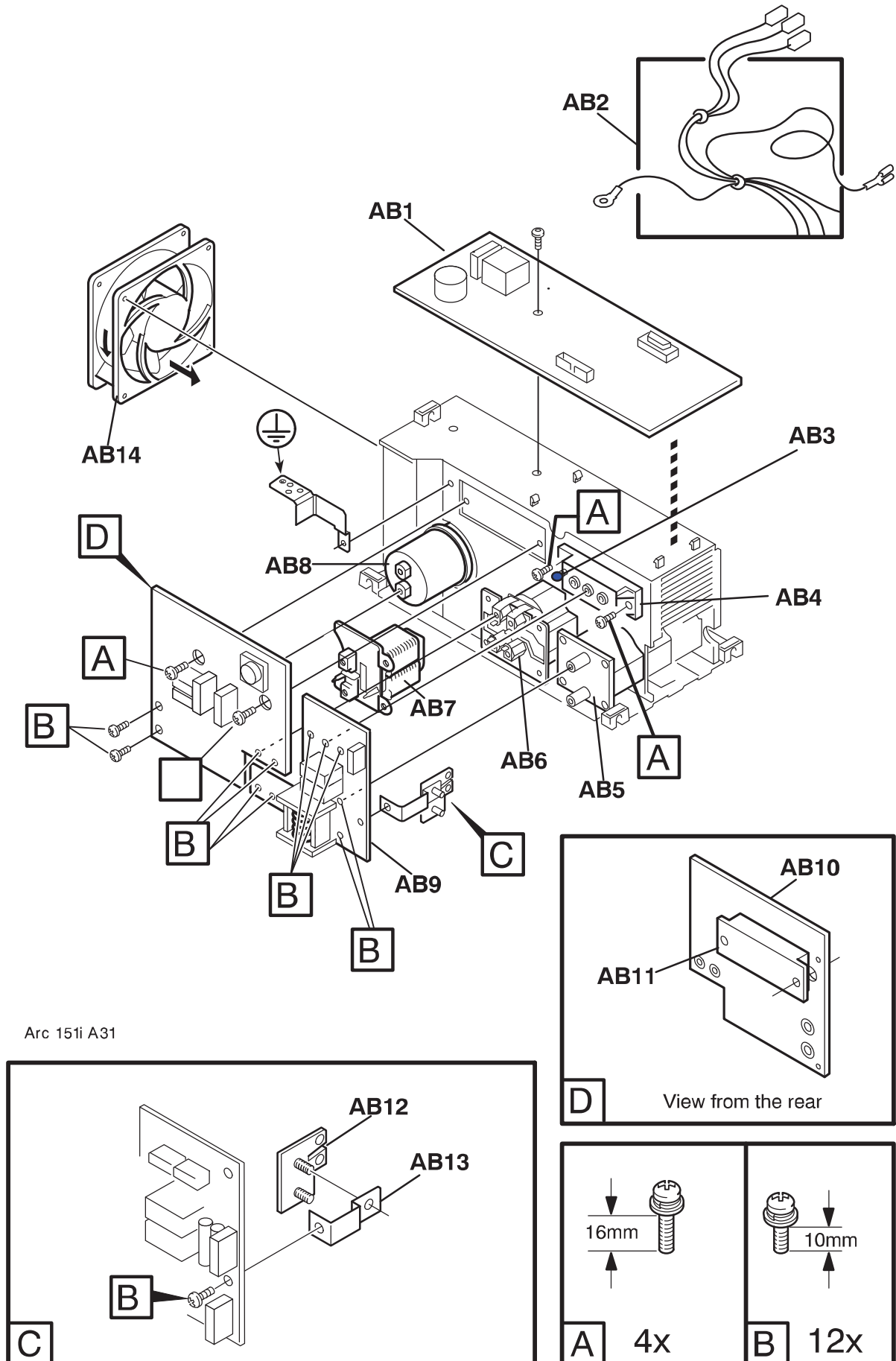


C = component designation in the circuit diagram

Item	Qty	Ordering no.	Denomination	Notes	C
AB1	1	0487 261 880	Power supply/control board		20AP1
AB2	1	0193 700 702	Ribbon cable with connectors	10 pole	20XS3, 20XS4
AB3	1	0468 940 005	Thermal switch	Socket connector 15XS5 included	15ST2
AB4	1		Diode module	See item AB50	15D1
AB5	1	0459 177 001	Inductor		15L1
AB6	1	0459 355 881	Transformer	Includes: main transformer, socket 15XS4, socket 15XS6, thermal switch 15ST1	15TM1
AB7	1	0460 117 001	Inductor	PFC	15L2
AB8	1	0194 158 003	Capacitor	1000 uF 450 V DC	15C1
AB9		0487 060 880	Secondary board		15AP2
AB10	1		Circuit board	See item AB51	15AP1
AB11	1		Semiconductor module	See item AB51	
AB12	1	0468 030 880	Shunt		15RS1
AB13	1	0459 194 001	Busbar		
AB14	1	0467 801 002	Fan	24 V DC; with cables and socket 15XS3	15EV1

SPARE PARTS SETS

Item	Qty	Ordering no.	Denomination	Notes
AB50	1	0459 385 880	Diode module kit	Includes: item AB4 diode module, screws (type A and B), thermal compound and roller.
AB51	1	0459 384 887	Power board kit	Includes: item AB10 power board, item AB11 semiconductor module, screws (type A and B), thermal compound and roller.
-		0458 910 002	Roller handle	For the roller in the spare parts sets above
-		0192 058 101	Thermal compound	



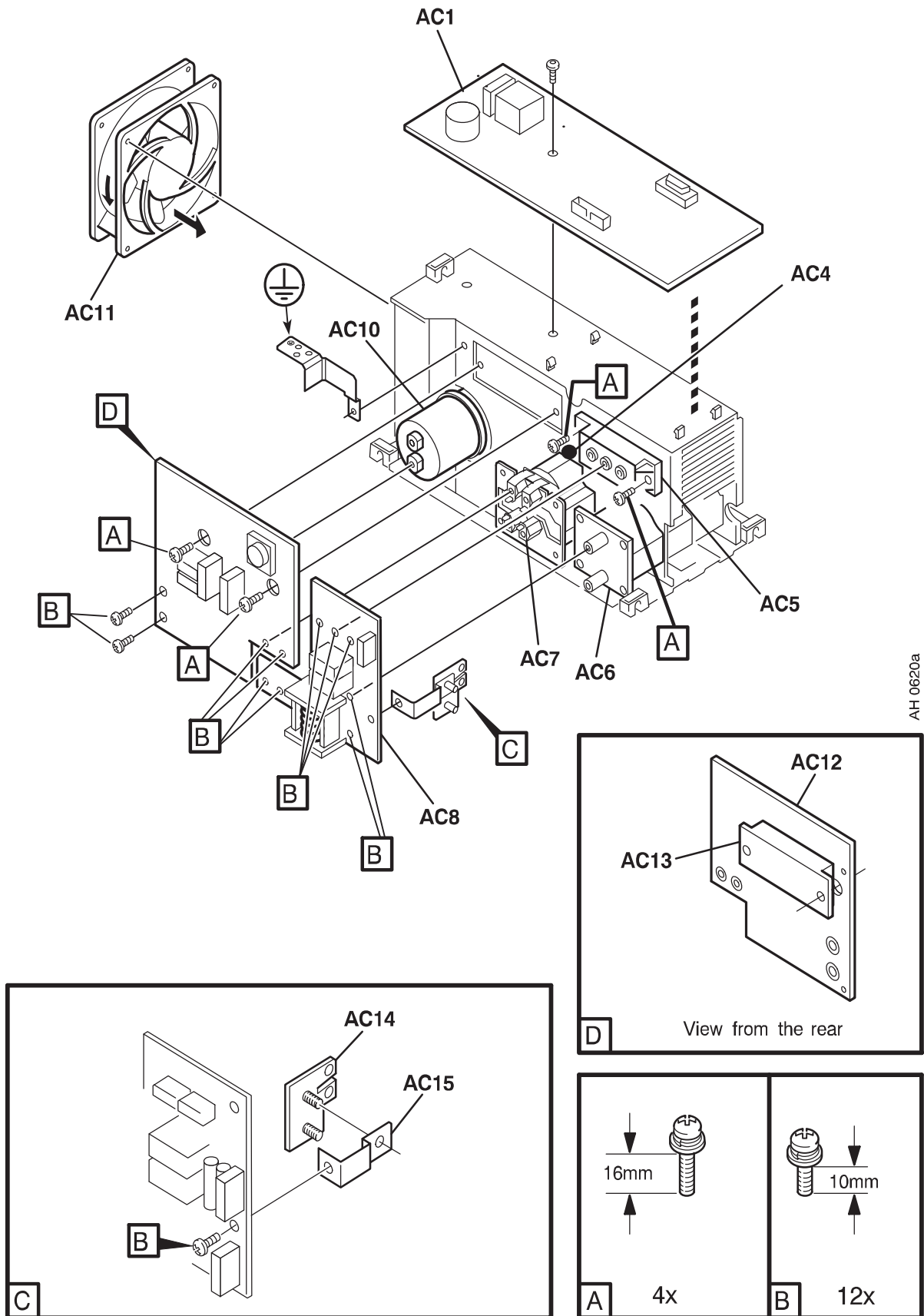
Arc 151i A31

C = component designation in the circuit diagram

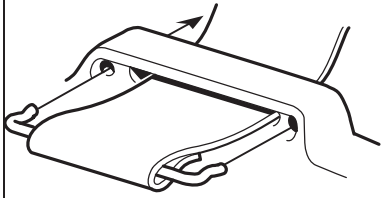
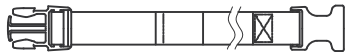

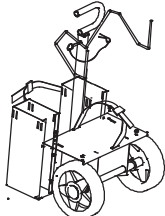
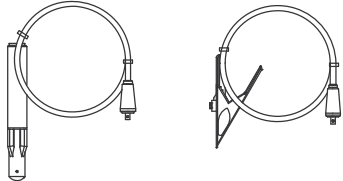
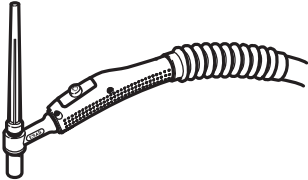
Item	Qty	Ordering no.	Denomination	Notes	C
AC1	1	0487 261 880	Power supply/Control board	Configured for Arc 151i/Arc 152i A31	20AP1
AC4	1	0468 940 004	Thermal switch	Socket connector 15XS5 included	15ST2
AC5	1		Diode module	See item AC50	15D1
AC6	1	0459 177 001	Inductor		15L1
AC7	1	0459 355 880	Transformer	Includes: main transformer, socket 15XS4, socket 15XS6, thermal switch 15ST1	15TM1
AC8	1	0487 060 880	Secondary board		15AP2
AC10	1	0194 158 001	Capacitor	1000 uF 400 V DC	15C1
AC11	1	0467 801 002	Fan	24 V DC; With cables and socket 15XS3	15EV1
AC12	1		Circuit board	See item AC51	15AP1
AC13	1		Semiconductor module	See item AC51	
AC14	1	0468 030 880	Shunt		15RS1
AC15	1	0459 194 001	Busbar		

SPARE PARTS SETS

Item	Qty	Ordering no.	Denomination	Notes
AC50	1	0459 385 881	Diode module kit	Includes: item AC5 diode module, screws (type A and B), thermal compound and roller.
AC51	1	0459 384 880	Power board kit	Includes: item AC12 power board, item AC13 semiconductor module, screws (type A and B), thermal compound and roller.
-		0458 910 002	Roller handle	For the roller in the spare parts sets above
-		0192 058 101	Thermal compound	

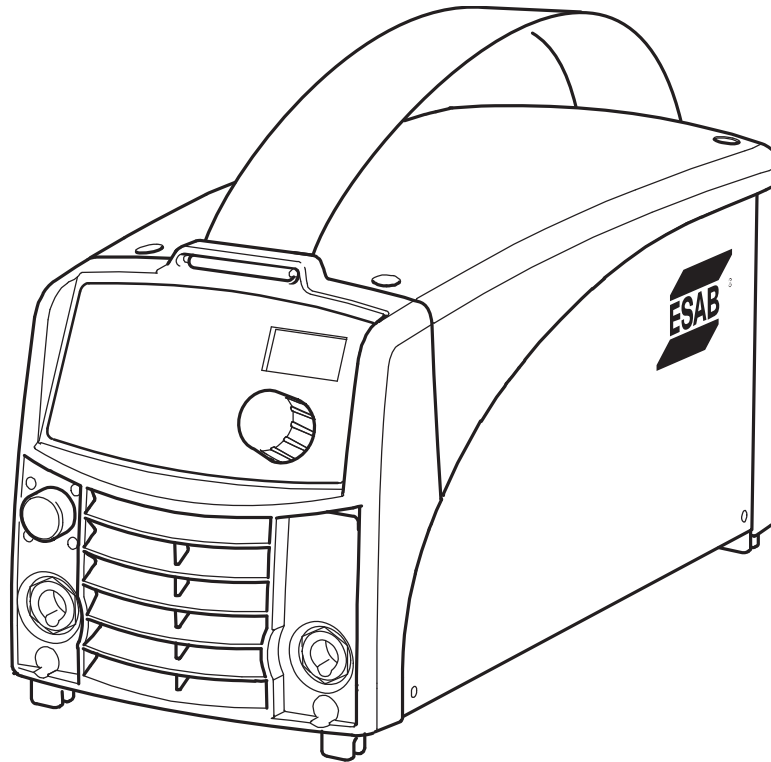


Accessories

	<p>Strap 0460 265 001</p>
	<p>Cable holder 2 pcs 0460 265 002</p>
	<p>Shoulder strap 0460 265 003</p>
	<p>Trolley for 5–10 litre gasbottle 0459 366 885</p>
	<p>Welding cable kit, Arc 151i 0700 006 898 Return cable kit, Arc 151i 0700 006 899 Welding cable kit, Arc 201i 0700 006 900 Return cable kit, Arc 201i 0700 006 901</p>
	<p>Tig torch TXH 150V, Arc 151i 0460 011 843 Tig torch TXH 200V, Arc 201i 0460 012 841</p>

Spare parts list

Edition 130301



Valid for serial no. 803 -xxx -xxxx, 828 -xxx -xxxx

Ordering no.	Product	
0460 445 883	Caddy™ Arc 151i, A33	230 V 50/60 Hz with MMA-kit
0460 445 884	Caddy™ Arc 201i, A33	230 V 50/60 Hz with MMA-kit
0460 445 873	Caddy™ Arc 151i, A33 Australian version	230V 50/60 Hz with MMA-kit
0460 445 874	Caddy™ Arc 201i, A33 Australian version	230V 50/60 Hz with MMA-kit
0460 445 483	Caddy™ Arc 151i, A33 USversion	230V 50/60 Hz with MMA-kit
0460 445 484	Caddy™ Arc 201i, A33 USversion	230V 50/60 Hz with MMA-kit

Spare parts are to be ordered through the nearest ESAB agency. Kindly indicate type of unit, serial number, denominations and ordering numbers according to the spare parts list.

Maintenance and repair work should be performed by an experienced person, and electrical work only by a trained electrician. Use only recommended spare parts.

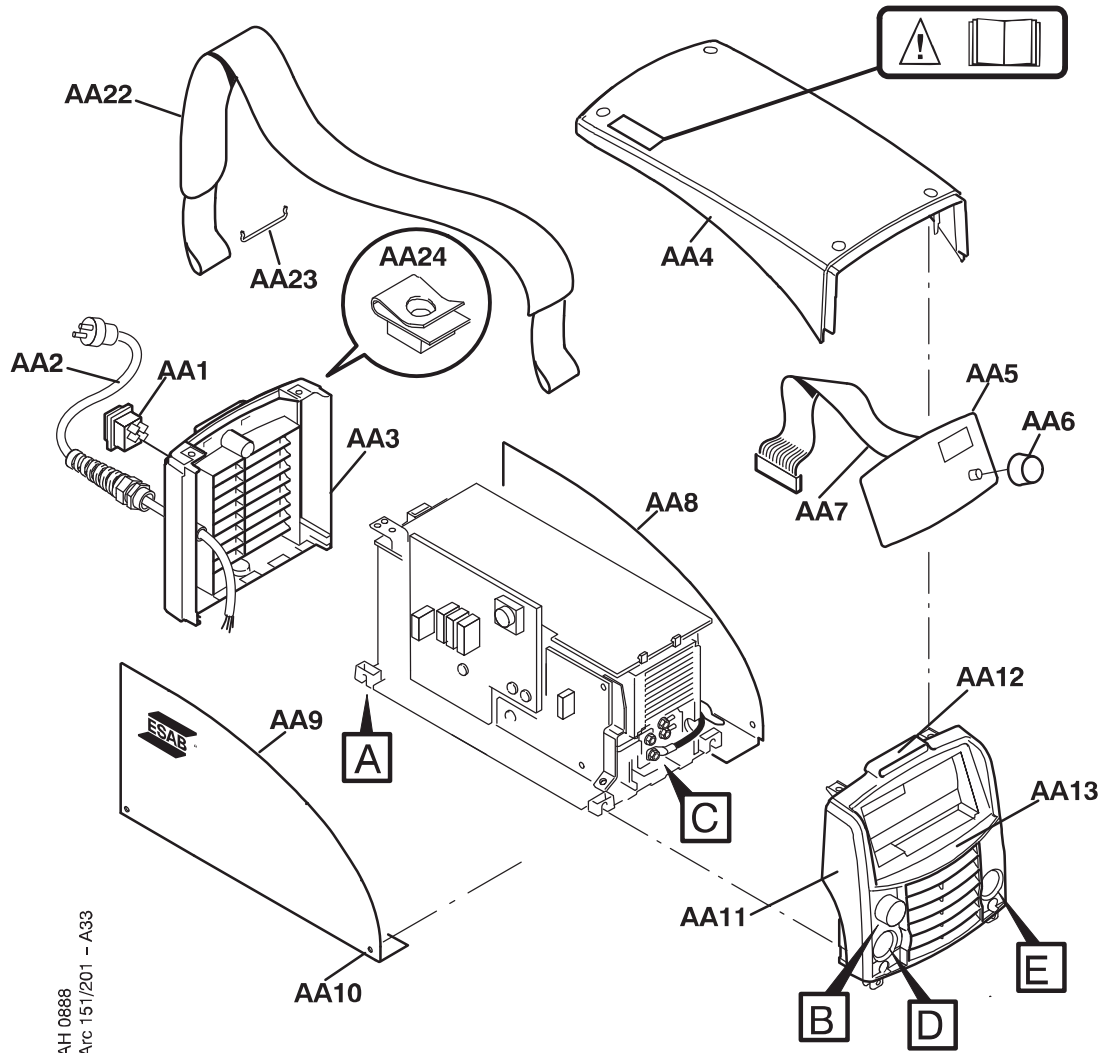
Rights reserved to alter specifications without notice.

C = component designation in the circuit diagram

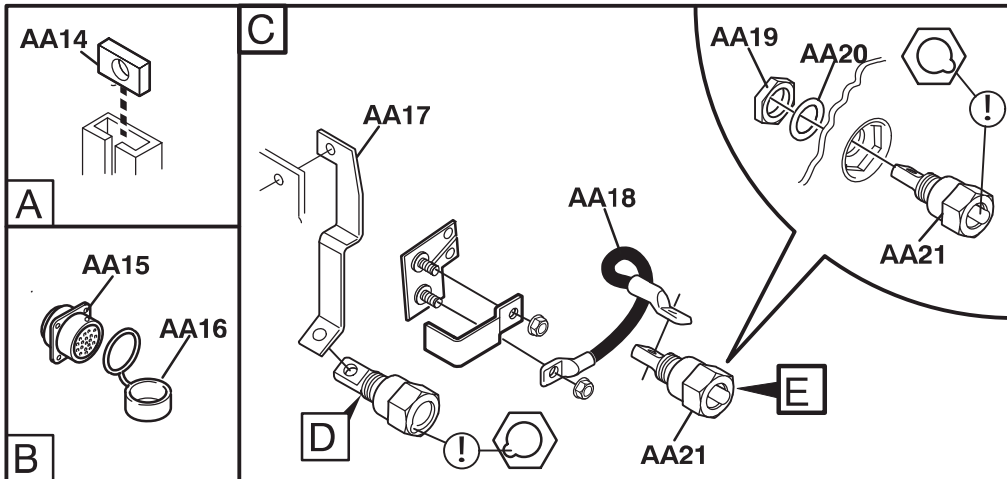
Item	Qty 151i	Qty 201i	Ordering no.	Denomination	Notes	C	
AA1	1	1	0193 317 001	Switch	Included in item AA50	2QF1	
AA2	1	1	–	Cord set	Included in item AA50		
AA3	1	1	0460 140 001	Rear panel			
AA4	1	1	0460 143 001	Cover			
AA5	1	1	0460 250 888	MMC Module A33	Control panel. Including Insulation sticker and AA6		
	1	1	0460 420 001	Insulation sticker	Included in AA5		
AA6	1	1	0460 600 528	Knob	Included in AA5		
AA7	1	1	0193 700 711	Ribbon cable with connectors	34 pole		1XS1, 1XS2
AA8	1	1	0460 479 002	Side panel	right		
AA9	1	1	0460 479 001	Side panel	left		
AA10			0194 179 327	Screw MRT	ground cutter, M5x12		
AA11	1	1	–	Front panel	Included in item AA51	XS25, XP5	
AA12	1	1	0459 184 005	Sticker	ESAB, included in AA51		
AA13	1	–	0460 221 003	Sticker	Arc 151i		
	–	1	0460 221 004	Sticker	Arc 201i		
AA14	5	5	0366 588 001	Nut			
AA15	1	1	0459 280 887	Cable with connector	Included in AA51		
AA16	1	1	0366 285 001	Protection cap	12 pole, included in AA51		
AA17	1	1	0460 427 001	Bar plus			
AA18	1	1	0460 152 981	Cable set course			
AA19	2	2	0366 247 001	Nut	Included in AA51		
AA20	2	2	0366 306 003	Spring washer	Ø21/15x1, included in AA51	XS1, XS2	
AA21	2	2	0160 362 025	Connector OKC 50	Included in item AA51		
AA22	1	1	0460 265 001	Strap			
AA23	2	2	0468 497 001	Holder			
AA24	6	6	0469 381 002	Fast lock nut	M5		

SPARE PARTS SETS

Item	Qty 151i	Qty 201i	Ordering no.	Denomination	Notes
AA50	1	–	0460 601 881	Mains module	Includes items: AA1 switch, AA2 mains cable with plug, cable clamp and one ferrite ring 2L2.
	–	1	0460 601 880	Mains module	Includes items: AA1 switch, AA2 mains cable with plug, cable clamp and one ferrite ring 2L2.
	1	–	0460 601 884	Mains module	Includes items: AA1 switch, AA2 mains cable with plug, cable clamp and one ferrite ring 2L2. Australian version.
	–	1	0460 601 883	Mains module	Includes items: AA1 switch, AA2 mains cable with plug, cable clamp and one ferrite ring 2L2. Australian version.
AA51	1	1	0460 379 883	Front complete	Includes items: AA11, AA12, AA15, AA16, AA19, AA20, AA21 When replacing "front complete" also item AA5, MMC module, must be replaced.



AH 0888
Arc 151/201 - A33

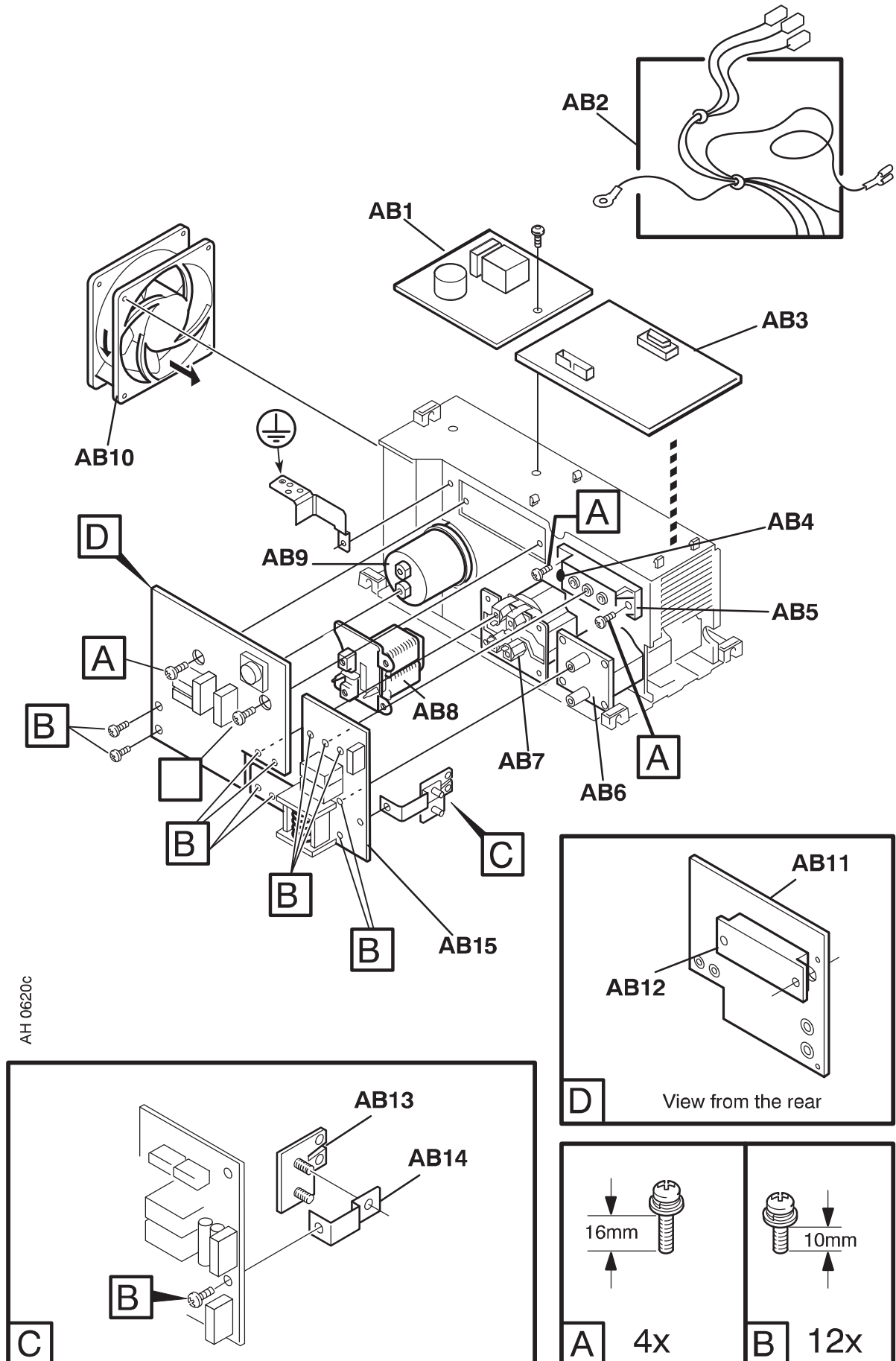


C = component designation in the circuit diagram

Item	Qty 151i	Qty 201i	Ordering no.	Denomination	Notes	C
AB1	1	–	0487 064 884	Power supply board	Arc 151i, A33	2AP1
	–	1	0487 631 880	Power supply board	Arc 201i, A33	2AP1
AB2	1	1	0193 700 702	Ribbon cable with connectors	10 pole	20XS3, 20XS4
AB3	1	–	0487 599 882	Control board	Configured for Arc 151i, A33	20AP1
	–	1	0487 599 883	Control board	Configured for Arc 201i, A33	20AP1
AB4	1	1	0468 940 005	Thermal switch	Socket connector 15XS5 included	15ST2
AB5	1	1		Diode module	See item AB50	15D1
AB6	1	1	0459 177 001	Inductor		15L1
AB7	1	1	0459 355 881	Transformer	Includes: main transformer , socket 15XS4, socket 15XS6, thermal switch 15ST1	15TM1
AB8	1	1	0460 117 001	Inductor	PFC	15L2
AB9	1	1	0194 158 003	Capacitor	1000 uF 450 V DC	15C1
AB10	1	–	0467 801 002	Fan	Arc 151i, 24V DC; With cables and socket 15XS3	15EV1
	–	1	0458 065 002	Fan	Arc 201i, 24V DC; With cables and socket 15XS3	15EV1
AB11	1	1		Circuit board	See item AB51	15AP1
AB12	1	1		Semiconductor module	See item AB51	
AB13	1	1	0468 030 880	Shunt		15RS1
AB14	1	1	0459 194 001	Busbar		
AB15	1	1	0487 060 880	Secondary board		15AP2

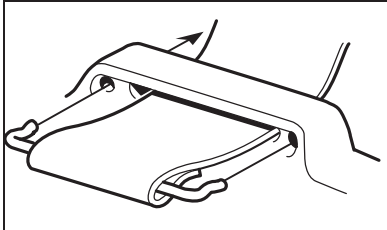
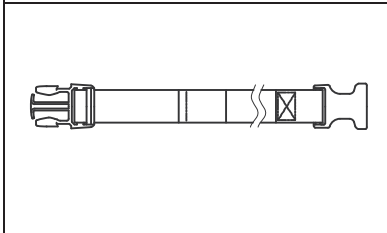
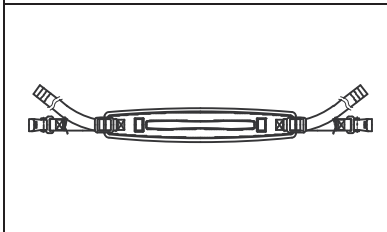
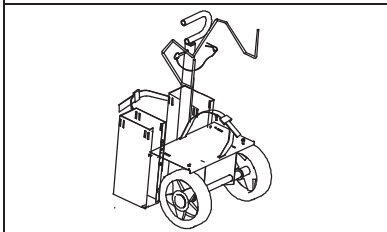
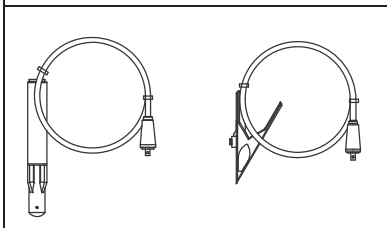
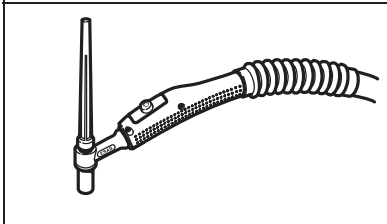
SPARE PARTS SETS

Item	Qty 151i	Qty 201i	Ordering no.	Denomination	Notes
AB50	1	1	0459 385 881	Diode module kit	Includes: item AB5 diode module, screws (type A and B), thermal compound and roller.
AB51	1	–	0459 384 887	Power board kit	Includes: item AB11 power board, item AB12 semiconductor module, screws (type A and B), thermal compound and roller.
	–	1	0459 384 884	Power board kit	Includes: item AB11 power board, item AB12 semiconductor module, screws (type A and B), thermal compound and roller.
–			0458 910 002	Roller handle	For the roller in the spare parts sets above
–			0192 058 101	Thermal compound	



AH 0620C

Accessories

	Strap	0460 265 001
	Cable holder 2 pcs	0460 265 002
	Shoulder strap	0460 265 003
	Trolley for 5–10 litre gasbottle	0459 366 885
	Welding cable kit, Arc 151i Return cable kit, Arc 151i Welding cable kit, Arc 201i Return cable kit, Arc 201i	0700 006 898 0700 006 899 0700 006 900 0700 006 901
	Tig torch TXH 151V, Arc 151i Tig torch TXH 201V, Arc 201i	0700 300 539 0700 300 553

Only for A33 control panel

	Remote control MMA 1 (10 m cable) MMA and TIG: current	0349 501 024
	Foot control FS002 MMA and TIG current	0349 090 886
	Remote control unit AT1 MMA and TIG: current	0459 491 896
	Remote control unit AT1 CF MMA and TIG: rough and fine setting of current.	0459 491 897
	Remote cable 12 pole – 8 pole 5 m 10 m 15 m 25 m	0459 552 880 0459 552 881 0459 552 882 0459 552 883

